

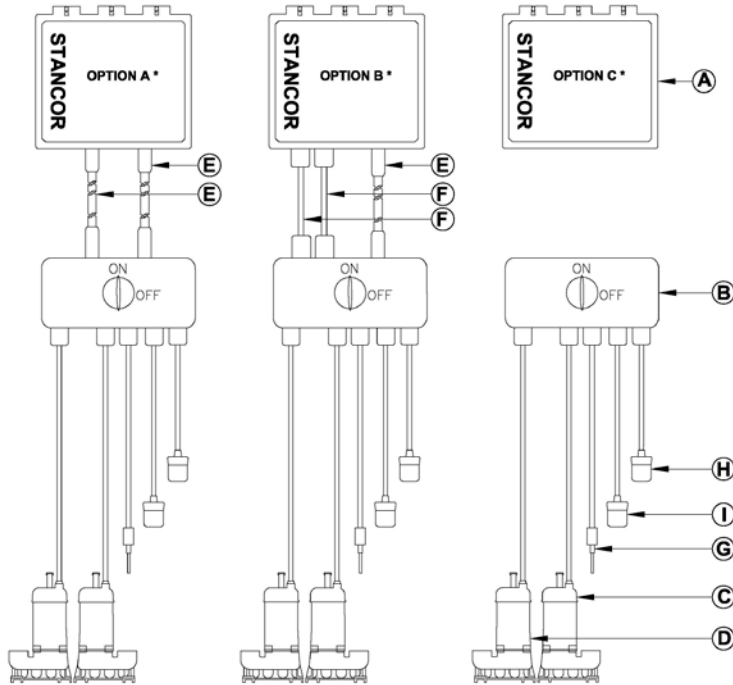


2 LO 0 L Q G H S O B [ V W H P % R [ ' L V F R Q Q # H W K H U H C				
' Z J	DS-B02-009	5 H Y	' D W I 8 / 1 7	6 H U L A H S

& R Q V W U X F W L R Q

0 R W R U ' H V L J Q	Induction	0 R W R U X V L Q J	Stainless Steel
0 R W R U 7 \ S H	Enclosed submersible	9 R O X W H	Cast Iron
, Q V X O D W L R Q & O C	Class B	( [ W H U Q D O + D U G Z	Stainless Steel
0 R W R U 3 U R W H F W	Bi-metallic Thermal Switch	2 5 L Q J V	Nitrile (Buna N)
% D H W D O O L F 7 H P	120° C ± 5° C	0 R W R U 6 K D I W	Stainless Steel
0 D [ ) O X L G W H P S	104°F (40°C)	, P S H O O H U	Hytrel
8 S S H U 6 K D I W 6 H	carbon/ceramic	/ R Z H U 6 K D I W 6 H D	Sic/Sic

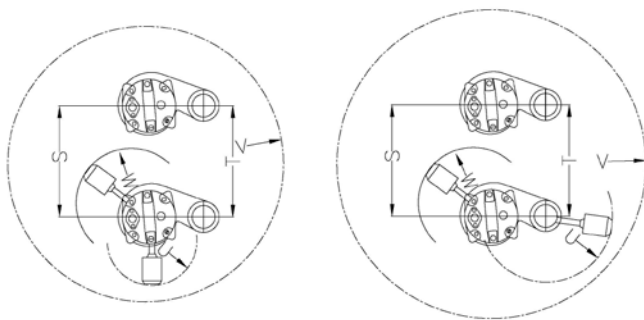
& R Q U X U D W L R Q V



, W H	' H V F U L S W L R Q
\$	Control Panel
%	J-Box + Disconnect
&	Pump A
'	Pump B
(	8 Pin Cable
)	Pump Power Cable
*	Sensor Probe
+	High Float
,	ON Float

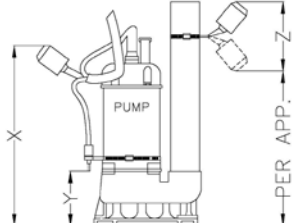
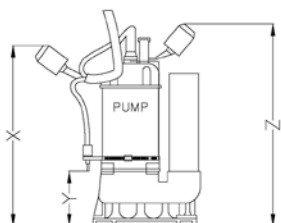
6 H H 2 0 & R Q I L J X U D  
I R U V S H F L I L F R S W

, Q V W O D W L R Q ' L P H Q V L R Q V



OPTION A \*

OPTION B \*



, W H	' H V F U L S W L R Q
6	Min. Pump Dist.**
7	Min. Fitting Dist.***
8	High Float Radius
9	Min. Sump ø
:	ON Float Radius
;	Pump ON
<	Pump OFF
=	High Alarm

6 H H 2 0 & R Q I L J X U D V  
I R U V S H F L I L F R S W L F  
G L P H Q V L R Q V

0 L Q X P G L V W D Q F H U H T X L U H G  
I R U S U R S H U S X P S S H U I R U P D Q F H

) L W W L Q J G L P H Q V L R Q V D U H  
E D V H G \$ R Q \$ 6 0 %  
V W D Q Q D U G V