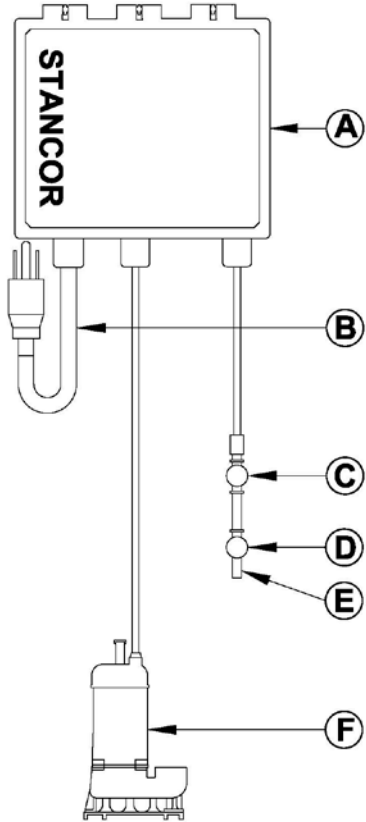


2 LO 0 L Q G H U L P S O 6 H V W H R U H F W : L U H G) O 2 R D W V			
' Z J	DS-B02-004	5 H Y	' D W I 8 / 1 7 6 H U L A H S

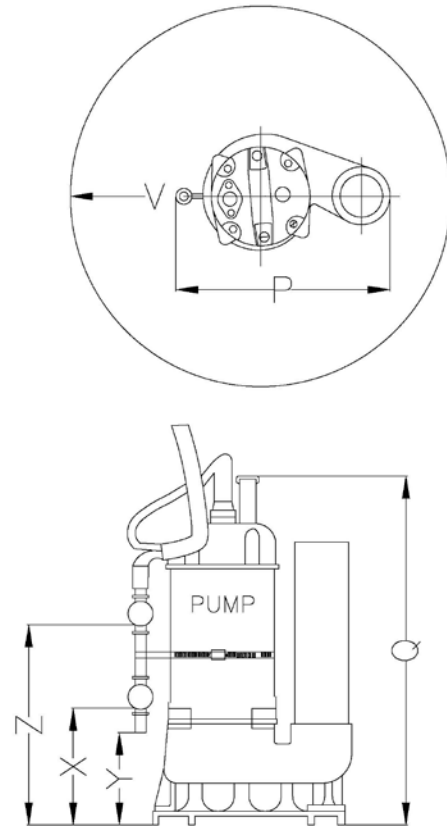
& R Q V W U X F W L R Q

0 R W R U ' H V L J Q	Induction	0 R W R U + R X V L Q J	Stainless Steel
0 R W R U 7 \ S H	Enclosed submersible	9 R O X W H	Cast Iron
, Q V X O D W L R Q & O	Class B	([W H U Q D O + D U G Z	Stainless Steel
0 R W R U 3 U R W H F V	Bi-metallic Thermal Switch	2 5 L Q J V	Nitrile (Buna N)
% D H W D O O L F 7 H F	120° C ± 5° C	0 R W R U 6 K D I W	Stainless Steel
0 D [) O X L G W H P S	104°F (40°C)	, P S H O O H U	Hytrel
8 S S H U 6 K D I W 6 H	carbon/ceramic	/ R Z H U 6 K D I W 6 H D	Sic/Sic

& R Q I L J X U D W L R Q



' L P H Q V L R Q V



, W H	' H V F U L S W L R Q
\$	Control Panel
%	Power Cable*
&	HIGH Float
'	ON Float
(Sensor Probe
)	Pump

6 H H 2 0 & R Q I L J X U D
I R U R S W L R Q

, W H	' H V F U L S W L R Q
3	Pump with OM-300 Dist.
4	Height to Handle
9	Minimum Sump ϕ
;	Pump ON
<	Pump OFF
=	High Alarm

6 H H 2 0 & R Q I L J X U D V
I R U V S H F L I L F R S W L F
G L P H Q V L R Q V