

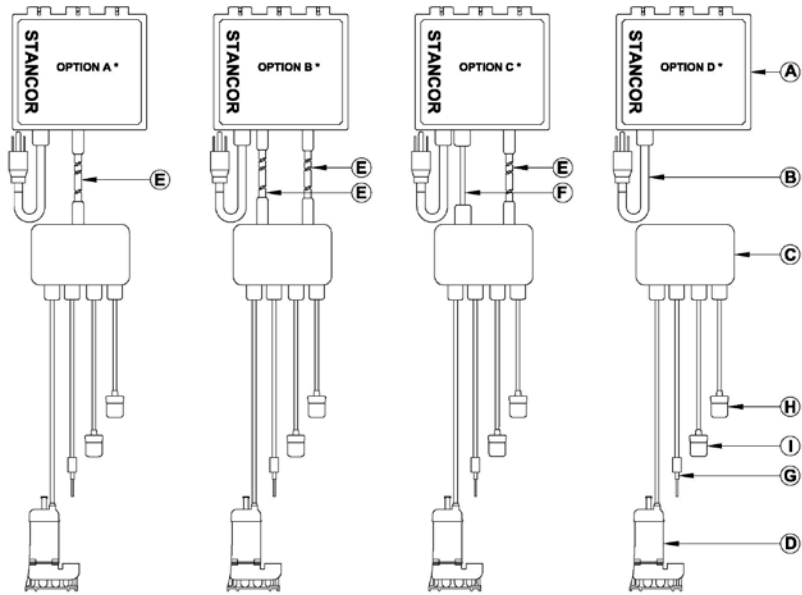


2 L O 0 L Q G H U 6 L P S O H V W H P % R [ 7 H W K H U H G ) O				
' Z J	DS-B02-002	5 H Y	' D W I 8 / 1 7	6 H U L A H S

& R Q V W U X F W L R Q

0 R W R U ' H V L J Q	Induction	0 R W R U + R X V L Q J	Stainless Steel
0 R W R U 7 \ S H	Enclosed submersible	9 R O X W H	Cast Iron
, Q V X O D W L R Q & O	Class B	( [ W H U Q D O + D U G Z	Stainless Steel
0 R W R U 3 U R W H F V	Bi-metallic Thermal Switch	2 5 L Q J V	Nitrile (Buna N)
% D H W D O O L F 7 H F	120° C ± 5° C	0 R W R U 6 K D I W	Stainless Steel
0 D [ ) O X L G W H P S	104°F (40°C)	, P S H O O H U	Hytrel
8 S S H U 6 K D I W 6 H	carbon/ceramic	/ R Z H U 6 K D I W 6 H D	Sic/Sic

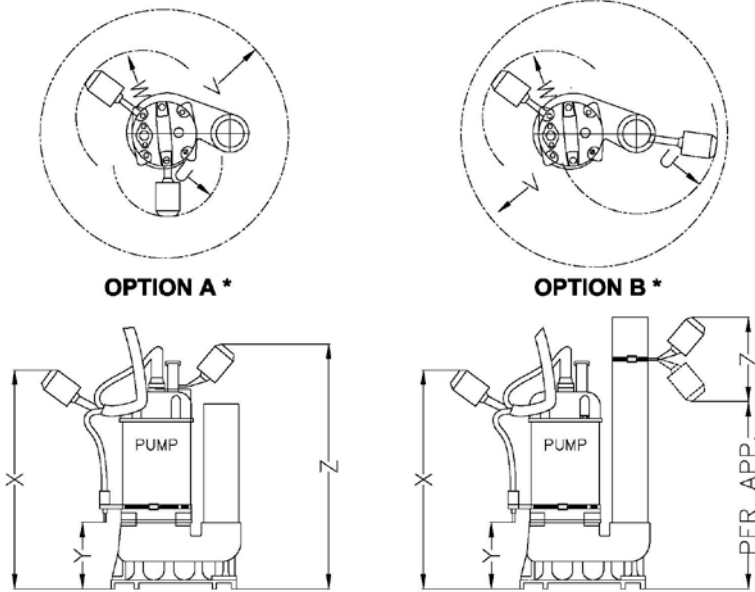
& R Q L J X U D W L R Q V



, W H	' H V F U L S W L R Q
\$	Control Panel
%	Power Cable *
&	J-Box
'	Pump
(	8 pin Cable
)	Pump Power Cable
*	Sensor Probe
+	High Alarm Float
,	Pump ON Float

6 H H 2 0 & R Q I L J X U D  
I R U V S H F L I L F R S W

, Q V X O D W L R Q ' L P H Q V L R Q V



, W H	' H V F U L S W L R Q
8	HIGH Float radius
9	Minimum Sump ø
:	Pump ON radius
;	Pump ON
<	Pump OFF
=	High Alarm

6 H H 2 0 & R Q I L J X U D W  
I R U S H F L I L F R S W L R Q  
G L P H Q V L R Q V